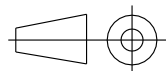
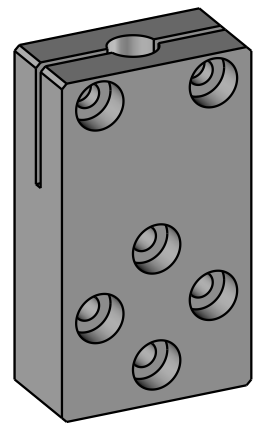
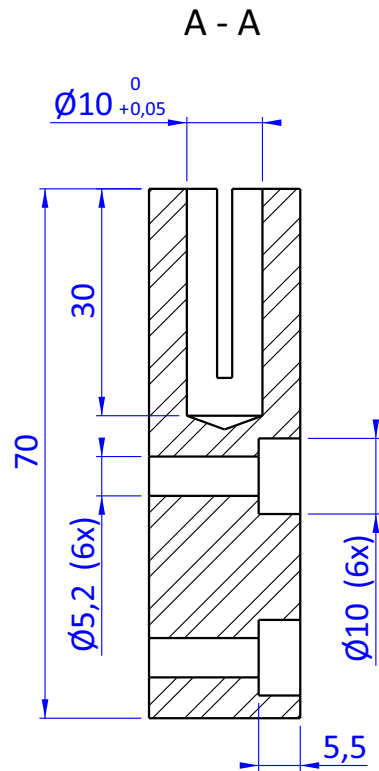
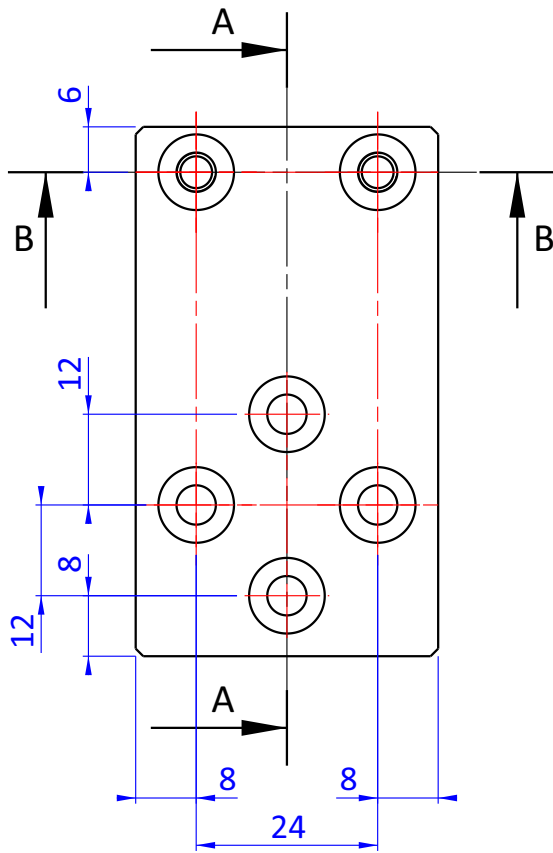
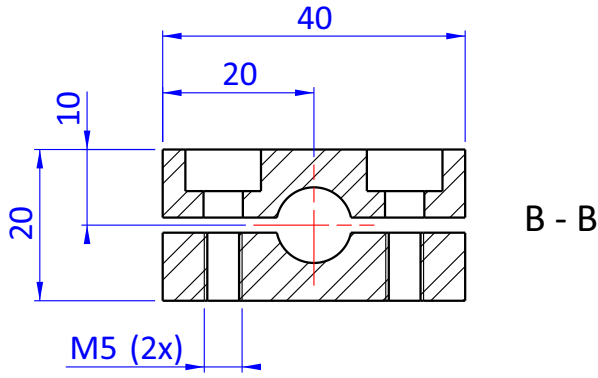


THE PROPERTY OF THE DRAWING IS ESTABLISHED BY LAW. IT IS FORBIDDEN TO PRODUCE OR SHOW IT TO THIRD PART. WITHOUT A WRITTEN AGREEMENT.

A	17/02/2023	Zanotti A.	
Indice	Data	Autore	Commento



Format A4 UNI 936-76	GENERAL TOLERANCE	MATERIALE	ALL.PIA.50X30	DESIGNED FROM	FPS Automation	REVIEW	A	SCALA	1:1
	UNI - ISO 2768	DESCRIZIONE	CAMBIO UTENSILE PICKER WITTMANN PROF. X	DATE	17/02/2023	WEIGHT	0,130kg		
	CLASSE f	TRATTAMENTO	BURATTATURA	CODE	CA.CUW.X				